



Wood burning fires and stoves

2023/2024



 Dik Geurts

Lovers of the real wood fire

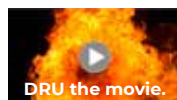
The name Dik Geurts has been synonymous with craftsmanship and design ever since the company was founded, and over the past 40 years it has become a household name in the fireplace world. Since 2007 Dik Geurts has been fully integrated in DRU Verwarming B.V., an innovative company that has guaranteed top quality for centuries.

In addition to being designers, we at Dik Geurts are particularly fond of the real wood fire. In our factory in Duiven, The Netherlands, we work hard every day on the quality and ease of operation of our stoves and fires. With this brochure, we would like to show you how the combination of simplicity, experience and knowledge leads to beautiful fires and the most beautiful flames.

Dik Geurts is a trademark of DRU Verwarming B.V.



Scan the QR code and watch the DRU corporate video



ENVIRONMENT Wood firing and aeration	4
WOOD STOVE TECHNOLOGY Ingenious technology, simple to use	8
DESIGN FIRES 2-Sided, Front and Tunnel	10
WOOD AND MULTI-FUEL STOVES 3-Sided and Front	24
INSERT AND BUILT-IN FIRES Front (including fires with fan), Tunnel, 2-sided and 3-sided	44
CONNECTION OPTIONS Insert- and built-in fires	60
CENTRAL HEATING FIRES Front	62
TECHNICAL DATA Dimensions and characteristics	64

Icons used



kW | Output
Page 6



EA | External Air
Page 7



IR | Infrared
Page 9



RS | Room Sealed
Page 7

Dik Geurts

Creation of flames



Scan the QR code and experience the passion of Dik Geurts wood fires.



Save on wood,
fine dust and
the environment



All wood burning stoves and fires in the Dik Geurts range have a particularly high efficiency. A higher temperature is reached in these closed and clever woodburners, and as a result combustion is much more complete and efficient. Even residual soot particles are fully burned, so you save on wood, emit less particulate matter and soot particles, and thus protect the environment.

Ready for the future with EcoDesign

As of 1 January 2022, European legislation sets requirements for the minimum required efficiency of a stove and the maximum allowed emission of particulate matter. All Dik Geurts fireplaces and stoves comply with this legislation and carry the EcoDesign 2022 label. Several Dik Geurts fires and stoves are also Defra approved. For the right purchase, choose an environmentally friendly Dik Geurts wood stove for now and in the future.



Climate neutral

In principle, heating with wood is CO₂ neutral. During the growth phase of a tree, CO₂ is absorbed from the air. When the tree is cut down and burned, the same amount of CO₂ is released into the atmosphere. In order to be able to remain climate neutral, sustainably sourced wood must be used. Therefore a new tree is planted for every tree that is cut down. This process ensures everything remains nicely in balance.

Energy label

The Dik Geurts wood burning stoves are provided with an energy efficiency label. The greener the label, the better it is for the environment. Our stoves are all in the A-class or better.



The right way to burn

The best setup

With the so-called '**Swiss method**' you can burn wood safely and cleanly. At the bottom of the stove you should place large logs, on top of which you should put small pieces of wood, and on top of those, firelighters. Replenish the heating space when all that is left is a glow bed. Place a number of logs with the cleft side down in the fire box and open the air supply.

The right wood

The fuel must be sufficiently dry and suitable as firewood. Good firewood has a moisture percentage of 15%-20%. You should never burn waste wood such as chipboard or old railway sleepers, or treated wood. The combustion of waste or treated wood can produce toxic fumes. As well as being unsafe, this is also very harmful to the environment.



Scan the QR code for an explanation video about burning wood.

The right output

The output of a wood burning fire or stove must match the space you want to heat. If you have a fire with too much output, the room will soon become too hot. You will then not be able to let the fire burn to its full capacity and this can cause odour nuisance or extra pollution of the chimney. If the power is too low, you run the risk that the fire will not heat the room enough. This is especially annoying when the fire has an important function in the heating of your home. Dik Geurts offers a wide range of stoves and fires for larger and smaller rooms. Because Dik Geurts fires can also be fired at low power (4 kW), they are extremely suitable for use in spring or autumn.



kW (Output, indicated in kilo Watt).

Fireplaces with outdoor air connection

Houses today are increasingly well insulated. To ensure that enough fresh air still enters the home, ventilation systems are often installed. It is therefore important to consider the supply air for combustion when choosing your fireplace. For instance, you can get the supply air from the setup room, but also from outside. To get the supply air for wood combustion from outside, it is important to equip a wood fire with an outside air connection. We distinguish between:



EA ('External Air'), standard

- used in neutral or overpressure situations
- with the EA kit, oxygen for combustion can come almost entirely from outside
- possible for all fireplaces



RS ('Room Sealed')

- used in low pressure situations in the living space
- oxygen for combustion comes entirely from outside
- Included with a large number of fireplaces

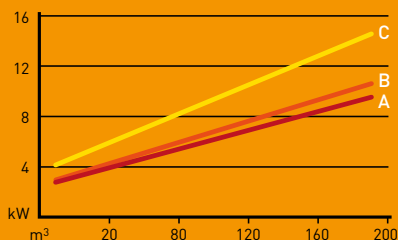
Modern homes choose RS

RS wood-burning fireplaces are often installed in modern, passive and gap-tight homes. Before delivery, these fireplaces are tested for leak-tightness and provided with a certificate. Optimally suited for a balanced indoor climate and optimum heating pleasure.



Calculate output

Calculate the content of the space you want to heat (length x width x height). Next, it is important to get an idea of the extent to which your house is insulated. For example, do you have double-glazing and wall and floor insulation everywhere? Then your home belongs to type A. Is your home not optimally insulated, without double-glazing in every window? Then your home belongs to type B. Is your home poorly insulated and with no double-glazing? Then your home belongs to type C. Knowing this you can see in the graph below what capacity (in kilowatts) is needed to heat your home.



Warm heart for Uganda

At Dik Geurts we care for the world around us, and human beings also deserve our attention. In our project 'A fireplace for you, a future for her', part of the proceeds from our fires is used to provide women in Uganda with a microcredit for a tree plantation.





Thoughtful
technique,
simple
to use

A Dik Geurts wood stove is not just a cabinet in which you can burn wood. It is a thoughtfully-designed device that ensures efficient and clean combustion at a high efficiency. Our fires and stoves have a closed combustion chamber (so no grate) that provides good insulation, and the flue gases that are released during combustion are led outside via an ingenious labyrinth.

Simple operation

Dik Geurts fires and stoves are easy to operate. They have a single lever to regulate the surprisingly sophisticated air supply. Thanks to this, Dik Geurts fires and stoves ignite very easily.

Infrared glass

At Dik Geurts we use infrared glass for a number of our fires and stoves to circulate the heat in the fire box. This gives a higher efficiency, retains the heat in the fire and as a result the glass stays clean much longer.



Vermiculite

The combustion chambers of all Dik Geurts fires are insulated with heat-retaining natural vermiculite. For a nice contrast with the yellow flames, the vermiculite in the combustion chamber of our Design fires is coloured dark anthracite.

Floor plates

For a complete set-up and extra protection of the floor, we offer round, rectangular and square floor plates. Finished in dark anthracite steel and available in different sizes.

A Dik Geurts wood stove always has a high efficiency, low emissions of CO and fine dust and ultimate fire control. Guaranteed.

Simple operation: just one lever



Optional floor plate



Design fires

The eye-catcher
for every interior





A design fire gives your home character and can be the beating heart of any interior. The Dik Geurts design fires can seem to float in space and at the same time form a natural unity with the rest of the room.

Page
12



ODIN FRONT

Base
Fixed
Plateau
Wall

Page
14



ODIN TUNNEL

Base
Fixed
Plateau

Page
16



OVAL FRONT

Base
Fixed
Legs
Plateau
Wall

Page
18



OVAL TUNNEL

Base
Fixed
Legs
Plateau

Page
20



BORA CORNER

Cubes
Fixed
Floating Plateau
Straight Plateau
Wall

Odin

Function and design go hand in hand perfectly

The unique, round design not only makes the Odin a real eye-catcher, but its shape also makes for a great flame picture.

- Faster warmth while environmentally friendly
- Unique round glass window
- Hanging from the ceiling or on the wall or standing on a plateau or robust base

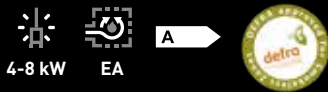


Base with external air connection



Odin Front, Fixed

Efficiency 75,2%
WxDxH 606x380x606 mm



4-8 kW

EA

Odin Front, Wall

Efficiency 75,2%
WxDxH 606x415x606 mm

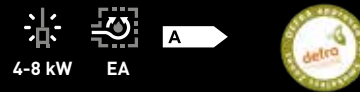


4-8 kW

EA

Odin Front, Base

Efficiency 75,2%
WxDxH 606x600x940 mm

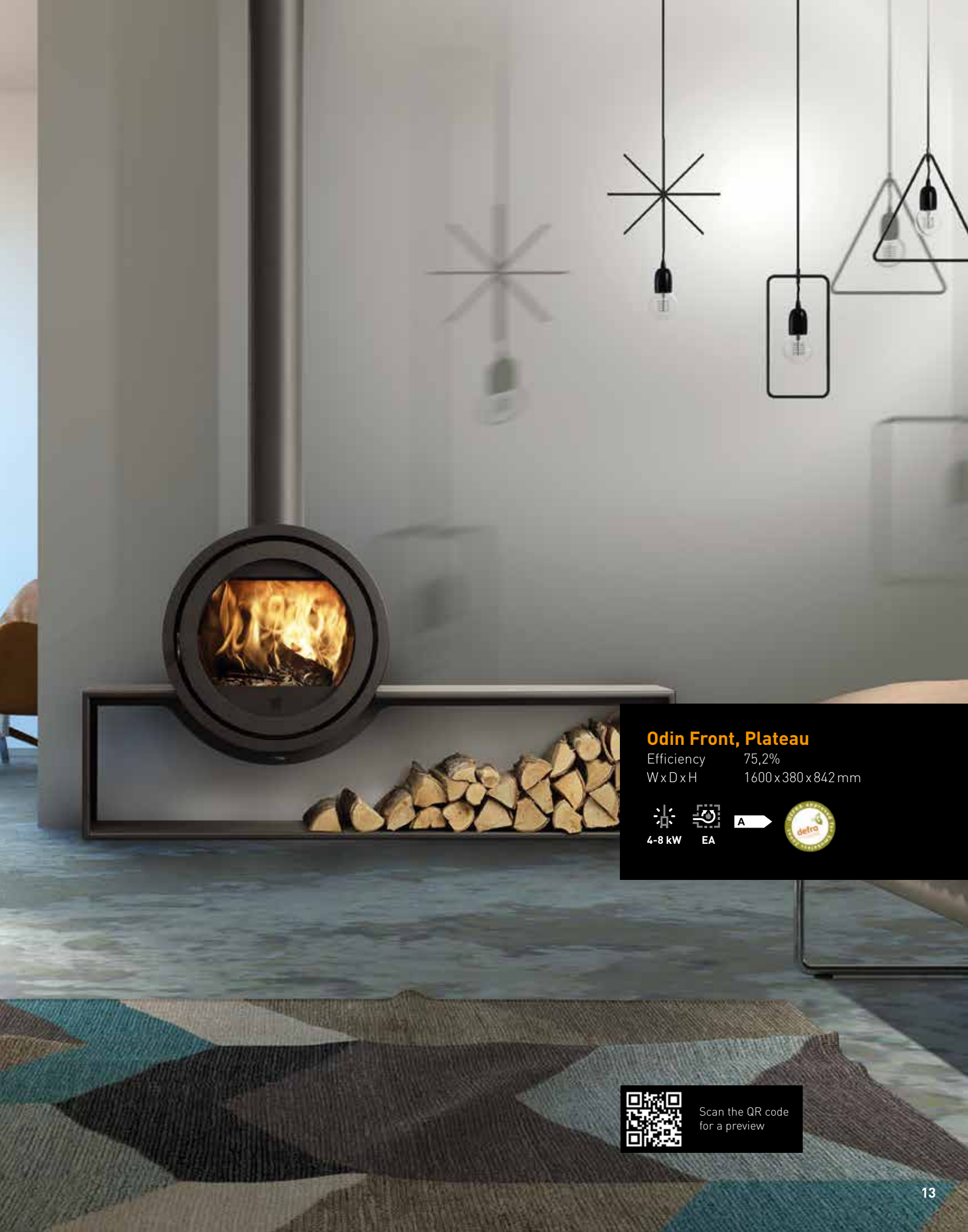


4-8 kW

EA



Scan the QR code for a preview



Odin Front, Plateau

Efficiency 75,2%
WxDxH 1600x380x842 mm



4-8 kW



EA

A




Scan the QR code
for a preview



Odin Tunnel, Fixed

Efficiency 75,0%
WxDxH 606 x 400 x 606 mm

  
6-10 kW EA



Scan the QR code
for a preview

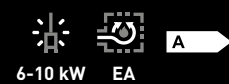


Ultimate fire
experience with
two-way visibility
and warmth



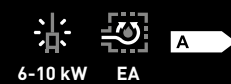
Odin Tunnel, Base

Efficiency 75,0%
WxDxH 606 x 600 x 940 mm



Odin Tunnel, Plateau

Efficiency 75,0%
WxDxH 1600 x 400 x 842 mm



Oval

The new style of heating

Typical Dik Geurts is this design fireplace with its oval shape. The various placement options make the Oval suitable for any interior.

- Beautiful fire view due to oval shape
- Unique air slide for easy control of flame intensity
- Wall-mounted, free hanging from the ceiling or standing on a plateau, robust base or legs

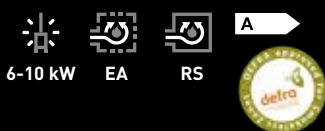


Base with external air connection



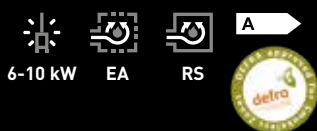
Oval Front, Base

Efficiency 75,9%
W x D x H 980x380x944 mm



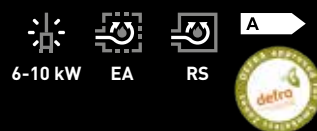
Oval Front, Fixed

Efficiency 75,9%
W x D x H 980x380x606 mm



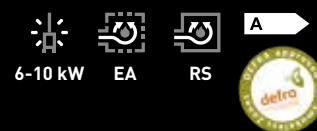
Oval Front, Plateau

Efficiency 75,9%
W x D x H 2000x380x838 mm



Oval Front, Wall

Efficiency 75,9%
W x D x H 980x380x606 mm





Scan the QR code
for a preview

Oval Front, Legs

Efficiency 75,9%
W x D x H 980x474x926 mm



6-10 kW



EA



RS



A





Oval Tunnel, Fixed

Efficiency 81,5%
W x D x H 980x380x606 mm



9-12 kW



IR



EA



RS



A+



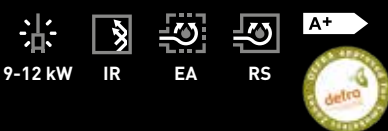
Scan the QR code
for a preview



Unique design
and a beautiful fire
from two sides

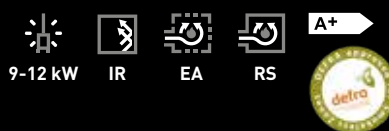
Oval Tunnel, Base

Efficiency 81,5%
W x D x H 980x380x944 mm



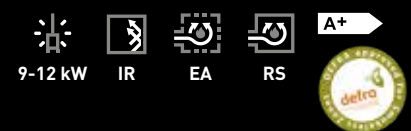
Oval Tunnel, Plateau

Efficiency 81,5%
W x D x H 2000x380x838 mm



Oval Tunnel, Legs

Efficiency 81,5%
W x D x H 980x474x926 mm



Bora Corner

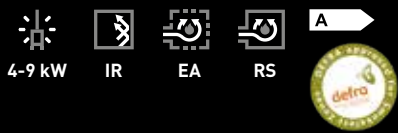
Robust cube with double-sided fire view

The two-sided glass window of the Bora Corner design fires gives a beautiful fire view. Hanging in the room or standing on a plateau, the Bora provides warmth and atmosphere throughout the area.

- Choose a left or right version
- Design fireplace for any position in the house
- Wide output range, optimally adjustable

Bora Corner, Cubes

Efficiency 78,1%
WxDxH 625x577x1030 mm





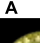



Scan the QR code for a preview



Bora Corner, Fixed

Efficiency 78,1%
 WxDxH 505x410x510 mm









Scan the QR code for a preview



Bora Corner, Floating Plateau

Efficiency 78,1%
 WxDxH 1200x450x829 mm



Scan the QR code for a preview

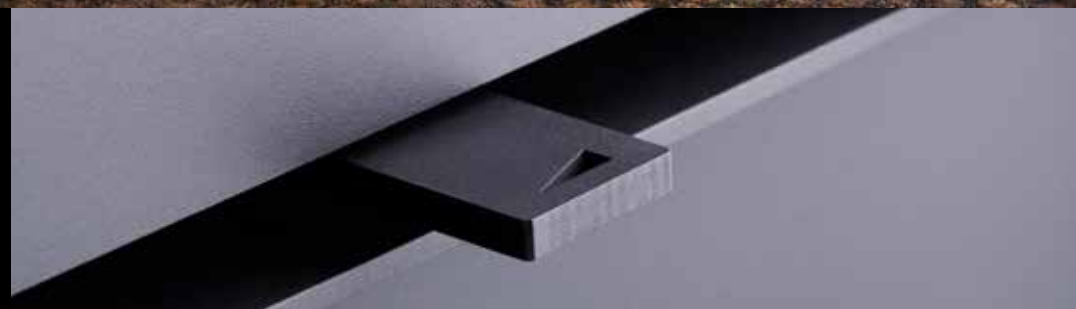
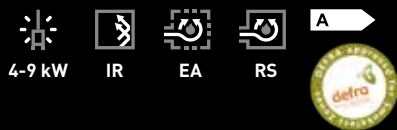




Scan the QR code for a preview

Bora Corner, Straight Plateau

Efficiency 78,1%
WxDxH 1500x450x879 mm



Plateau for wood storage is available in different sizes



Bora Corner, Wall

Efficiency 78,1%
WxDxH 505x448x510mm



4-9 kW



IR



EA



RS



A



Scan the QR code
for a preview

Wood and multi-fuel stoves

Height of
atmosphere
and warmth

A long gaze into dancing flames, the cosy sound of a real crackling fire and the warmth from a natural source. With a Dik Geurts wood fire you bring the old-fashioned cosiness of a campfire to your living room.

Page
26



VIDAR TRIPLE
Small, Store
Medium, Store
Large, Store
Small, Wall
Medium, Wall
Large, Wall

Page
30



KALLE

Page
31



FOLKE

Page
32



MODIVAR 5
Store Front
Store Corner
Floating Plateau
Straight Plateau

Page
34



SOREN 5

Page
34




ASTE 5

Page
35




LARS 1000

Page
36



IVAR
5, Low
5, High
5, Store
8, Low
8, Store

Page
42



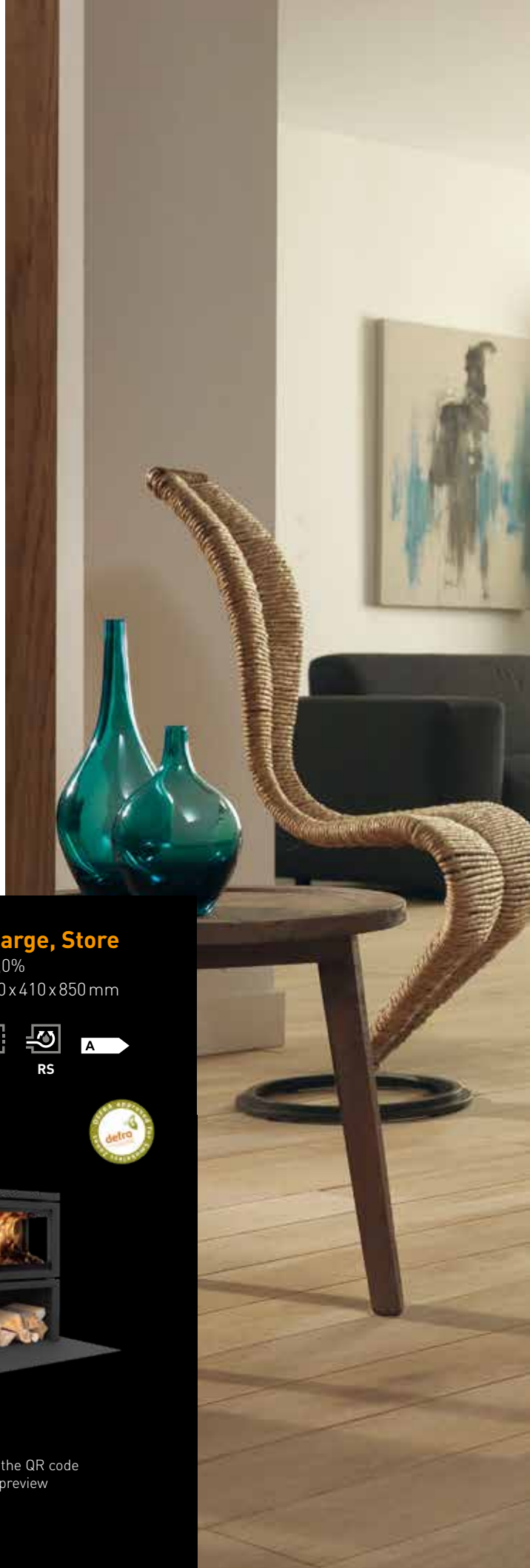
JANNIK
Medium, Low
Medium, High
Large

Vidar Triple

A stove to suit any home

Vidar stoves come in several shapes and sizes. There is always a suitable stove to suit your home.

- Freestanding with log compartment or wall-mounted
- Fits any room with a choice of 3 sizes
- Fitted with IR (infrared) side windows for extra-clean glass
- Optional elevated ash threshold



Vidar Triple Small, Store

Efficiency 79,0%
WxDxH 500x360x850 mm



4,9-7 kW

IR

EA

RS



Vidar Triple Large, Store

Efficiency 79,0%
WxDxH 800x410x850 mm



6-10 kW

IR

EA

RS



Scan the QR code for a preview



Scan the QR code for a preview

Vidar Triple Medium, Store

Efficiency 76,3%
WxDxH 662x410x850 mm



4-9 kW



IR



EA



RS

A



Scan the QR code
for a preview

Vidar Triple Large, Wall

Efficiency 79,0%
WxDxH 800x430x535 mm



6-10 kW



IR



EA



RS

A



Scan the QR code
for a preview



Vidar Triple Small, Wall

Efficiency 79,0%
WxDxH 500x380x535 mm

4,9-7 kW
 IR
 EA
 RS
 A



Scan the QR code for a preview

Vidar Triple Medium, Wall

Efficiency 76,3%
WxDxH 662x430x535 mm

4-9 kW
 IR
 EA
 RS
 A



Scan the QR code for a preview

More space, modern style, efficient heat

Kalle

Extra large
windows for
optimum
fire view

The Kalle is an industrial wood burning stove with a handy wood compartment under the fire box. The three large windows provide a magnificent view of the flames.

- Tight freestanding wood burning stove with wood storage
- Fire view from three sides
- Economical in use due to very high efficiency (85%)



Kalle

Efficiency 85,0%
WxDxH 546x415x1000 mm



4-8 kW



EA

A+ →

Folke



Scan the QR code
for a preview



Folke

Efficiency 77,3%
WxDxH 476x410x1000 mm



4-8 kW



IR



EA



RS



Thanks to the Folke's three-sided fire view, you can enjoy the lively flames even more. The wood compartment underneath the fire box gives this stove a rustic and atmospheric look, even when the stove is not burning.

- Unique air slide
- Heat reflective (infrared) side windows
- Suitable for mechanically ventilated and passive houses

Atmospheric,
even when
the stove is
not burning

Modivar 5

Tight shapes and ultimate fire control

Thanks to their sleek shapes and dark steel, Modivar stoves are ideal for a modern interior. If you are looking for something really special then a floating plateau is worth it.

- Ultimate fire control thanks to simple air slide
- Integrated door handle
- Choice of wood compartments and plateaus

Modivar 5, Floating Plateau

Efficiency 82,0%
WxDxH 1200x450x857 mm



4,9-7 kW

EA

RS

Modivar 5, Straight Plateau

Efficiency 82,0%
WxDxH 1500x450x907 mm



4,9-7 kW

EA

RS

Modivar 5, Store Front

Efficiency 82,0%
WxDxH 450x368x1000 mm



4,9-7 kW

EA

RS





Modivar 5, Store Corner

Efficiency 82,0%
WxDxH 450x368x1000 mm


4,9-7 kW


EA


RS

A+



Scan the QR code
for a preview

Aste 5 & Soren 5

Woodburning stove with rural countryside look

The Aste 5 and Soren 5 have a sturdy appearance with crisp lines and plenty of fire visibility. It is easy to install in an existing situation. The cast-iron door and the classic legs give the stove a robust appearance.

- Ideal for placing in an existing fireplace
- Chimney connection only 10 cm from the back
- Stylish door handle



Aste 5

Efficiency 82,0%
WxDxH 486x350x555 mm
Available with multi-fuel kit.



Scan the QR code for a preview

Soren 5

Efficiency 82,0%
WxDxH 450x350x570 mm
Available with multi-fuel kit.



Scan the QR code for a preview

Lars 1000



Scan the QR code
for a preview

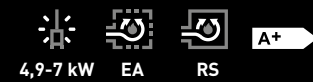
Atmosphere, heat and slow-cooking

Above the glass window of the Lars 1000 wood burning stove there is a room that can be used as an oven. This stove offers atmosphere, warmth and also the possibility to prepare simple dishes.

- Unique oven at the top of the stove
- High efficiency
- Low particulate emissions thanks to high-quality combustion

Lars 1000

Efficiency 82,0%
WxDxH 448 x 348 x 1000 mm



Ivar 5

Versatile source of atmosphere for the real enthusiast

The Ivar series is recognisable by the sleek cast iron door that offers a full view of the flames. Ivar stoves combine a compact and stylish appearance with the technically advanced combustion process for which Dik Geurts is known.

- Removable 'cold' handle
- Suitable for installation in existing spaces
- Wide output range & extremely low emissions





Ivar 5, Low

Efficiency 82,0%
WxDxH 450x350x555 mm
Available with multi-fuel kit.



4,9-7 kW



EA



RS



A+





Ivar 5, High

Efficiency 82,0%
WxDxH 450x350x660 mm
Available with multi-fuel kit.



Cast iron door with
removable handle



Ivar 5, Store

Efficiency 82,0%
WxDxH 450x350x850 mm
Available with multi-fuel kit.



4,9-7 kW



EA



RS



A+




Ivar 8



Ivar 8, Low

Efficiency 76,6%
WxDxH 540x350x555 mm
Available with multi-fuel kit.

5-10 kW EA RS  



Scan the QR code
for a preview



Scan the QR code
for a preview



Ivar 8, Store

Efficiency 76,6%
WxDxH 540x350x850 mm
Available with multi-fuel kit.



5-10 kW



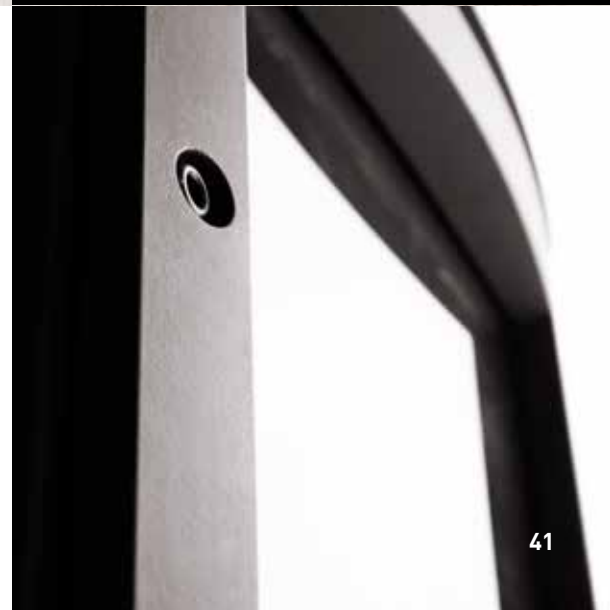
EA



RS



Large glass
window with wide
view of the fire



Jannik

Strikingly beautiful details, typically Dik Geurts

With the stoves in the Jannik series you recognise the robust details that are typical for the designs of Dik Geurts. Clean lines, sturdy hinges and a unique, slim handle. This handle provides easy access to the inside of the stove.

- Unique handle
- Wide power range
- Economical firing due to high efficiency of 87%



Jannik Medium, High

Efficiency 82,0%
WxDxH 550x375x900 mm



Jannik Medium, Low

Efficiency 82,0%
WxDxH 550x375x680 mm





Jannik Large

Efficiency 87,0%
WxDxH 620x380x780 mm



4-8 kW



EA

A+



Inserts and built-in fires

The solution for
renovation and
new construction

Inserts are designed for installation in an existing situation. When converting or renovating, an old fire can be replaced easily by a modern and environmentally friendly fire with a higher output. Built-in fires are placed predominantly in new situations.

Page
48



**FRONT
INSTYLE**

500
550
600
650
700
800
1000

Page
50



**FRONT
PROSTYLE**

500
550
600
650
700
800
1000

Page
52



**FRONT, FAN
INSTYLE**

600V Next
700V Next
800V Next

Page
54



**TUNNEL
INSTYLE**

Tunnel 700

Page
54



**TUNNEL
PROSTYLE**

Tunnel 700

Page
56



**2-SIDED SLIM
INSTYLE**

Corner Slim 660/495
Corner Slim 660/570

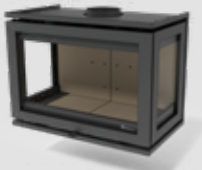
Page
58



**2-SIDED
INSTYLE**

Corner 660 Low
Corner 660 High

Page
59



**3-SIDED
INSTYLE**

Triple 660 Low

Instyle & Prostyle

Inserts and built-in fires for every interior

Dik Geurts has a wide range of inserts and built-in fires. Tunnel fires, 3-sided fires, fires with an extra large glass window and different kinds of frames; we have a suitable fire for every interior.

The Instyle fires have a completely clear glass window. The Prostyle range with screen-printed glass are made for an even more beautiful view of the fire.



Door and glass options



Instyle fireplaces
Clear glass window

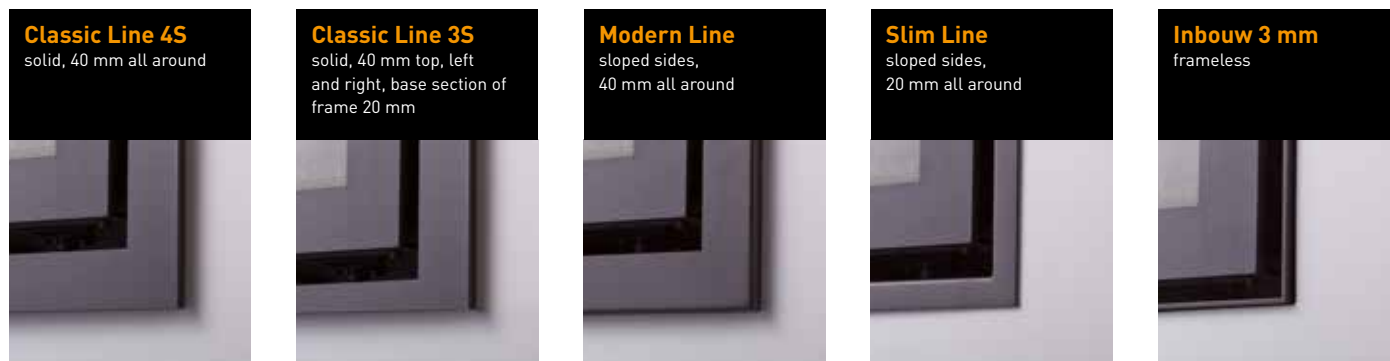


Prostyle fireplaces
Black screen-printed glass

Frames

A frame creates a neat and finished look for the built-in/insert fireplace. It hides any spaces between the fireplace and the surrounding wall, creating a seamless and professional look. At Dik Geurts, there is a very wide choice of frames in different styles.

Standard frames for front and tunnel fires



Frame type	Instyle/Prostyle	Instyle/Prostyle						
		500	550	600	650	700-Tunnel ¹⁾	800	1000
Classic Line 4S	WxH	580 x 537	587 x 617	660 x 537	710 x 552	760 x 657	860 x 637	1060 x 637
Classic Line 3S	WxH	580 x 517	n/a	660 x 517	710 x 532	n/a	n/a	n/a
Modern Line	WxH	580 x 537	587 x 617	660 x 537	710 x 552	760 x 657	860 x 637	1060 x 637
Slim Line	WxH	540 x 497	547 x 577	620 x 497	670 x 512	720 x 617	820 x 597	1020 x 597
Build in 3 mm	WxH	600 x 557	607 x 637	680 x 557	730 x 572	780 x 677	880 x 657	1080 x 657
Build in 8 mm	WxH	n/a	n/a	600x477	650x492	700x597	n/a	n/a

¹⁾ Frames on the Tunnel can be combined.

Standard frames for front fires with ventilating fan



Frame type	Instyle	Instyle		
		600V Next	700V Next	800V Next
Classic Line 4S	WxH	640 x 547	740 x 667	840 x 647
Build in 3 mm	WxH	566 x 473	666 x 593	766 x 573

Custom-made frames

The Dik Geurts product options are extensive. Nevertheless, it is possible that something does not fit during a conversion or renovation. In that case, a solid Classic Line 4S front frame can be custom-made to fit an existing fireplace opening. The width can vary between 12 and 100 mm.

Available for fireplaces:

- Instyle/Prostyle 500, 550, 600, 650, 700, 800, 1000
- Instyle/Prostyle Tunnel
- Instyle 600V Next, 700V Next, 800V Next

Instyle Front

Replace your old (open) fireplace for an eco-friendly one

The Instyle/Prostyle series consists of a number of models with different sizes, all using the same modern Dik Geurts techniques. With an Instyle you are assured of optimal enjoyment of a quality fire.

- Environmentally conscious enjoyment of fire
- Multi-purpose insert and built-in fires
- Different styles of detachable frames
- Choice of different frame types



Instyle 500

Efficiency 82,0%
WxDxH 580x350x537 mm



3-7 kW EA



Instyle 550

Efficiency 81,0%
WxDxH 587x350x617 mm



3-7 kW EA



Instyle 600

Efficiency 79,6%
WxDxH 660x360x537 mm

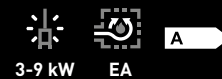


3-7 kW EA



Instyle 650

Rendement 80,5%
WxDxH 710x380x552 mm



3-9 kW EA



Instyle 550



Instyle 700



Efficiency 81,6%
WxDxH 760x400x657 mm



6-12 kW EA

Instyle 800

Efficiency 76,6%
WxDxH 860x400x637 mm



8-12 kW EA

Instyle 1000

Efficiency 77,7%
WxDxH 1060x400x637 mm



9-13 kW EA



Prostyle Front

Beautiful fire view
thanks to black
screen-printed glass

Prostyle 1000



Prostyle 500

Efficiency 82,0%
WxDxH 580x344x537 mm



Prostyle 550

Efficiency 81,0%
WxDxH 587x344x617 mm



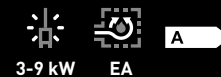
Prostyle 600

Efficiency 79,6%
WxDxH 660x354x537 mm

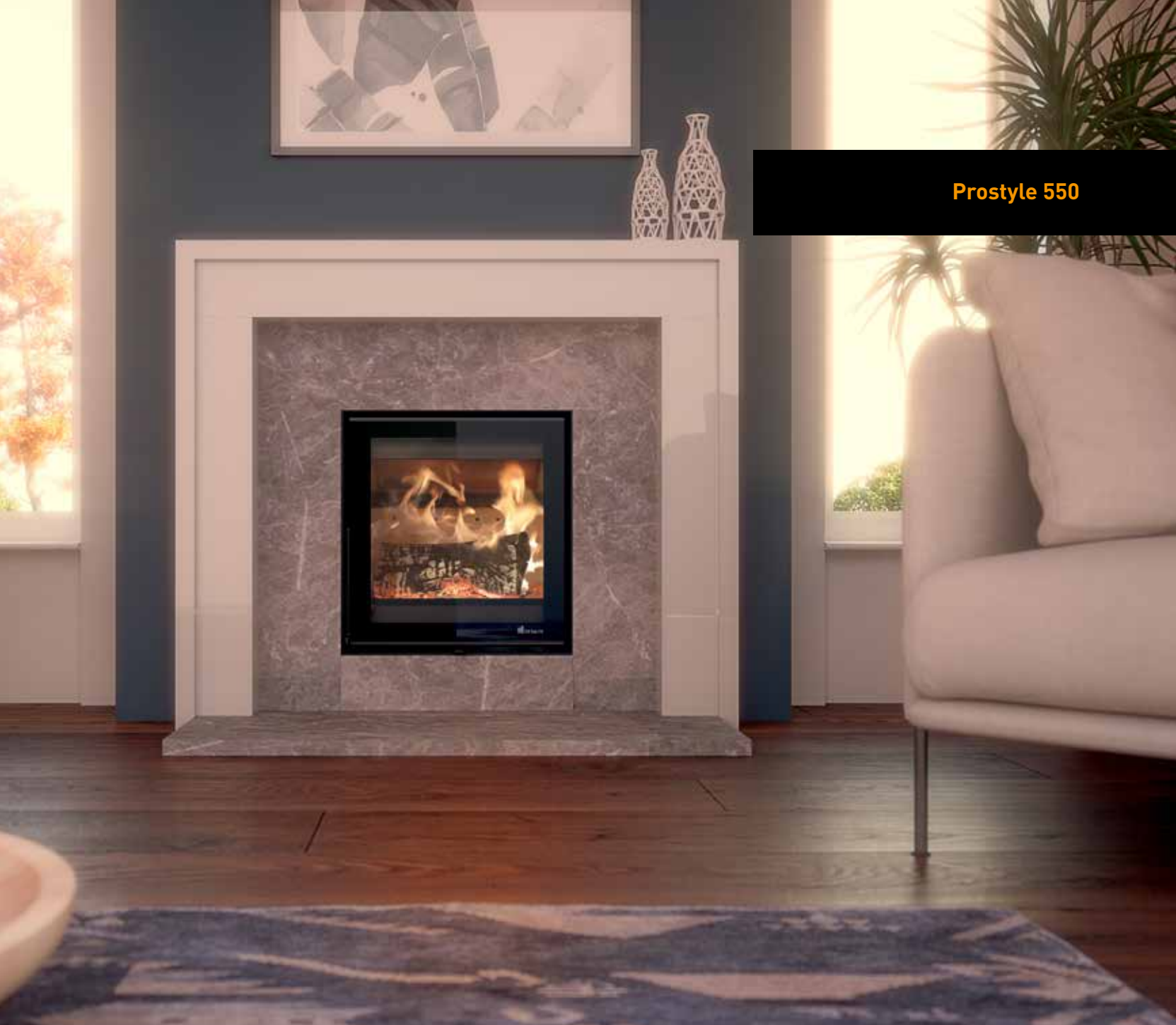


Prostyle 650

Efficiency 80,5%
WxDxH 710x374x552 mm



Prostyle 550



Prostyle 700



Efficiency 81,6%
WxDxH 760x394x657 mm



6-12 kW EA

Prostyle 800

Efficiency 76,6%
WxDxH 860x394x637 mm



8-12 kW EA

Prostyle 1000

Efficiency 77,7%
WxDxH 1060x394x637 mm



9-13 kW EA



Instyle Front, ventilator

Fire insert with ventilating fan

These ventilated inserts are equipped with a ventilating fan, which heats a room faster. When switched on, a pleasant, warm airflow can be felt from the front of the fire or through the convection openings.

Why Instyle V Next?

- Rapid heat distribution
- Impressive fire view
- Simple operation
- An efficient replacement for old fireplaces

How does it work?

A special adapter gives you full control of the fan. There are four speeds for gradual to rapid heating. And, thanks to a smart control sensor, the fan automatically adjusts to the desired temperature.



More information?
Watch the Instyle V Next video.

Instyle 600V Next

Efficiency 79,6%
WxDxH 580x410x495mm



3-7 kW EA

Instyle 700V Next

Efficiency 81,6%
WxDxH 680x450x615mm



6-12 kW EA

Instyle 800V Next

Efficiency 76,6%
WxDxH 780x450x595mm



8-12 kW EA



Instyle 700V Next



Instyle & Prostyle Tunnel 700

Splendid fire from two sides

The tunnel fireplaces Instyle and Prostyle Tunnel 700 have a hinged glass door on two sides. Thanks to its high output, this fire is ideal as a room divider in larger rooms.

- Beautiful see-through tunnel
- High output up to 12 kW
- In RS version almost completely airtight

Instyle Tunnel 700

Efficiency 83,0%
WxDxH 760x550x657 mm



9-12 kW EA RS A+

Prostyle Tunnel 700

Efficiency 83,0%
WxDxH 760x554x657 mm



9-12 kW EA A+



Scan the QR code
for a preview

Instyle Tunnel 700



Scan the QR code
for a preview

Instyle Corner Slim

Unique panoramic fire view

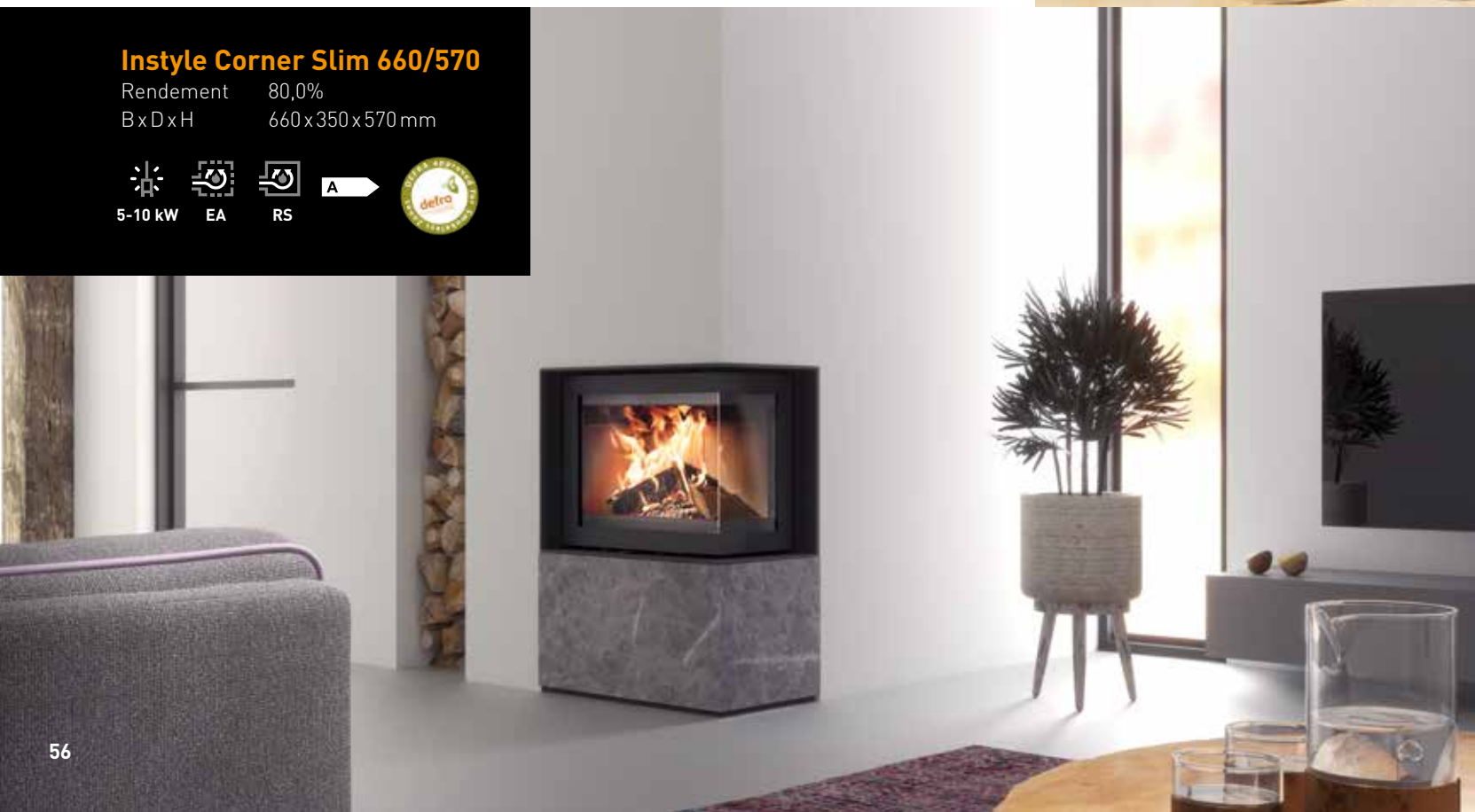
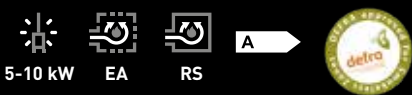
These two-sided wood stoves are characterised by their panoramic fire view. The glass panes are placed against one another in the corner. This continuous glass window, without a metal corner post between the two panes, provides a full view of the fire.

- Optimal view of the fire
- High efficiency
- Perfect for an existing chimney or new construction
- Optional build in frame



Instyle Corner Slim 660/570

Rendement 80,0%
B x D x H 660 x 350 x 570 mm





Scan the QR code
for a preview



Instyle Corner Slim 660/495

Efficiency 75,2%
WxDxH 660x350x495 mm



4-10 kW



EA



RS

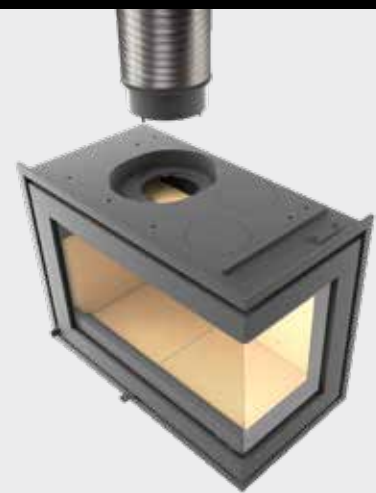


A



Optional build in frame 6S

- For a seamless finish to the fireplace assembly
- Very suitable for installation in a new build situation
- Width 6 cm (working width 5 cm)
- Solid frame, thickness 6 mm



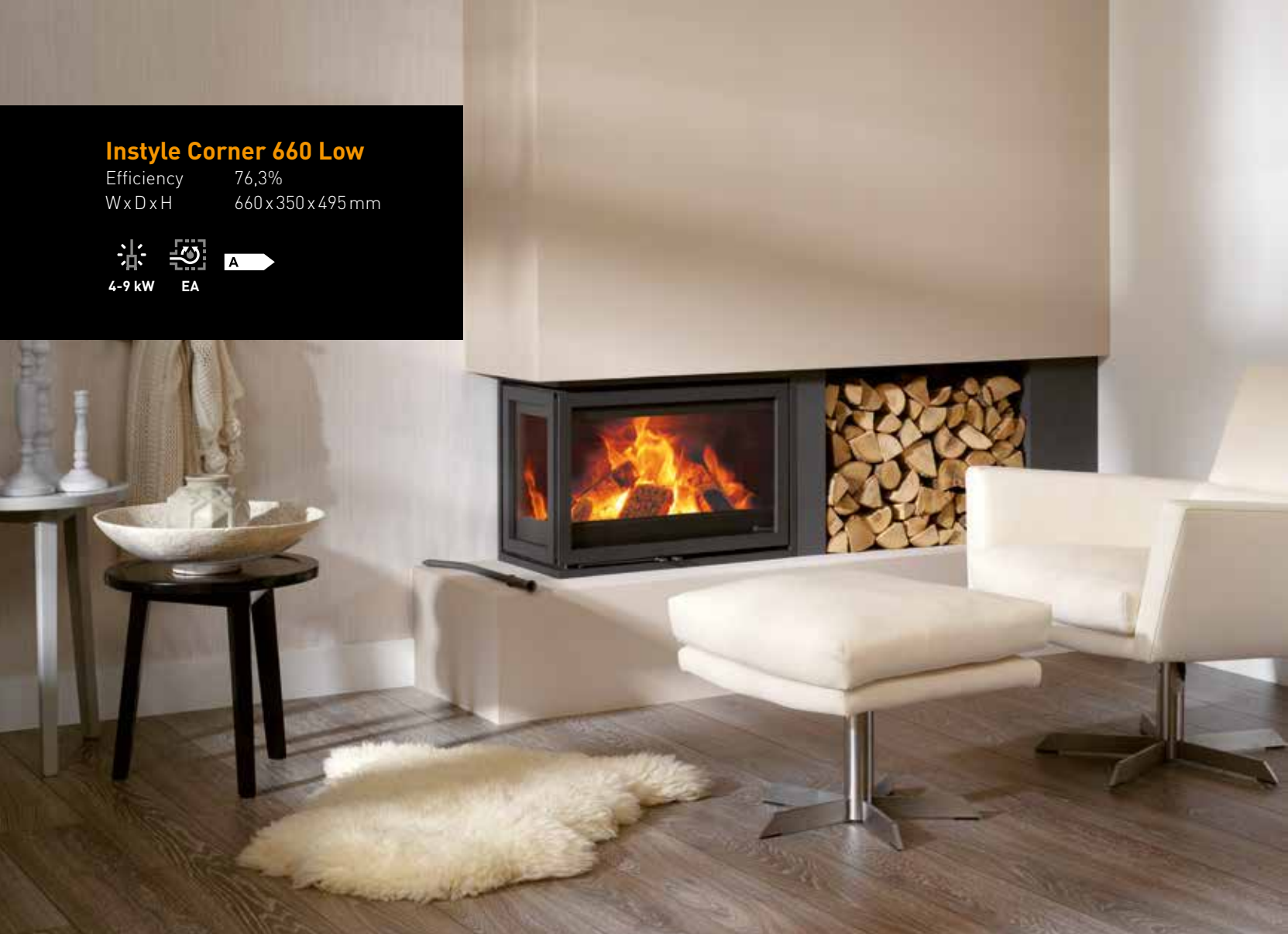
SlideConnect®

(only at Instyle Corner Slim 660/495)

- Easy connection to an existing or new flue
- Rotatable ring with 4 cm extra working space
- A major advantage, especially in existing situations

Instyle Corner 660 Low

Efficiency 76,3%
WxDxH 660x350x495 mm



Instyle Corner

Spacious insert
with wide fire view

Instyle Corner 660 High

Efficiency 76,3%
WxDxH 660 x 350 x 520 mm



Instyle Triple

Three sided glass and three sided fire

To ensure the highest possible efficiency, this insert is fitted with side windows with heat-reflecting infrared glass. This fire is only 49.5 cm high and therefore ideal for installation in most existing fireplaces.

- High efficiency and clean windows
- Subtle corner bars for better fire vision
- Suitable for installation in existing situation

Instyle Triple 660 Low

Efficiency 88,0%
WxDxH 662x380x495 mm



4-9 kW



IR



EA

A+



Easy installation

The various connection options ensure that the stove is quick and easy to install, regardless of the installation situation. There are three options for flue gas extraction.

1. Connection without drain material to an existing chimney flue (**sealing with ceramic wool**)
2. Connection with flexible or fixed pipe (**Liner Kit Pro**), Ø 150 or 180 mm
3. Connection with rejuvenated pipe (**connection piece**), Ø 150 or 180 mm

External air kit

Kit for supply of fresh air from outside, ideal for fully insulated houses

- Optional at 500 - 1000, 600V, Tunnel (only base)
- For rear and base connection
- Dimensions: Ø 80 mm



Linerkit Pro

Connection piece for flexible or rigid pipe.

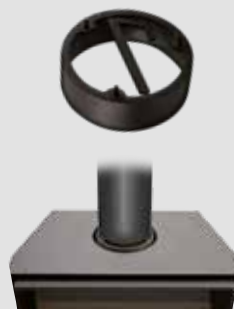
- Optional with: 500 - 1000, 600V, Corner, Triple, Tunnel
- Connectable from the inside of the fire
- Reducer with 3 screw holes
- Dimensions: Ø 150 mm, Ø 180 mm



Connection piece

Connection piece for rejuvenated pipe.

- Optional at: 500 - 1000, 600V, Corner, Triple, Tunnel
- Reducer with 3 screw holes
- Dimensions: Ø 150 mm, Ø 180 mm



Convection kit

Connecting rings (2 pieces) for mounting on the convection holes.

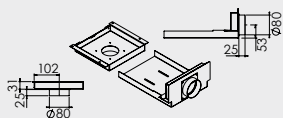
- Optional with: 500 - 1000, 600V, Corner Slim, Tunnel
- For more heating power
- Dimensions: Ø 125 mm



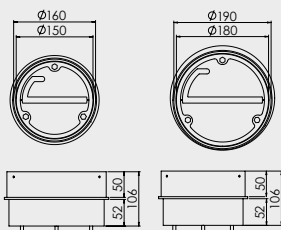
INSERT-/BUILT-IN FIRES CONNECTION OPTIONS

Instyle / Prostyle

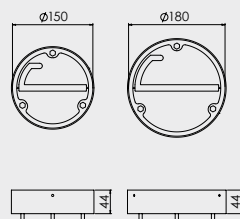
External air kit



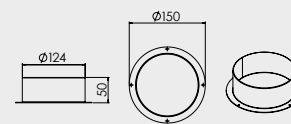
Linerkit Pro



Connection piece



Convection kit





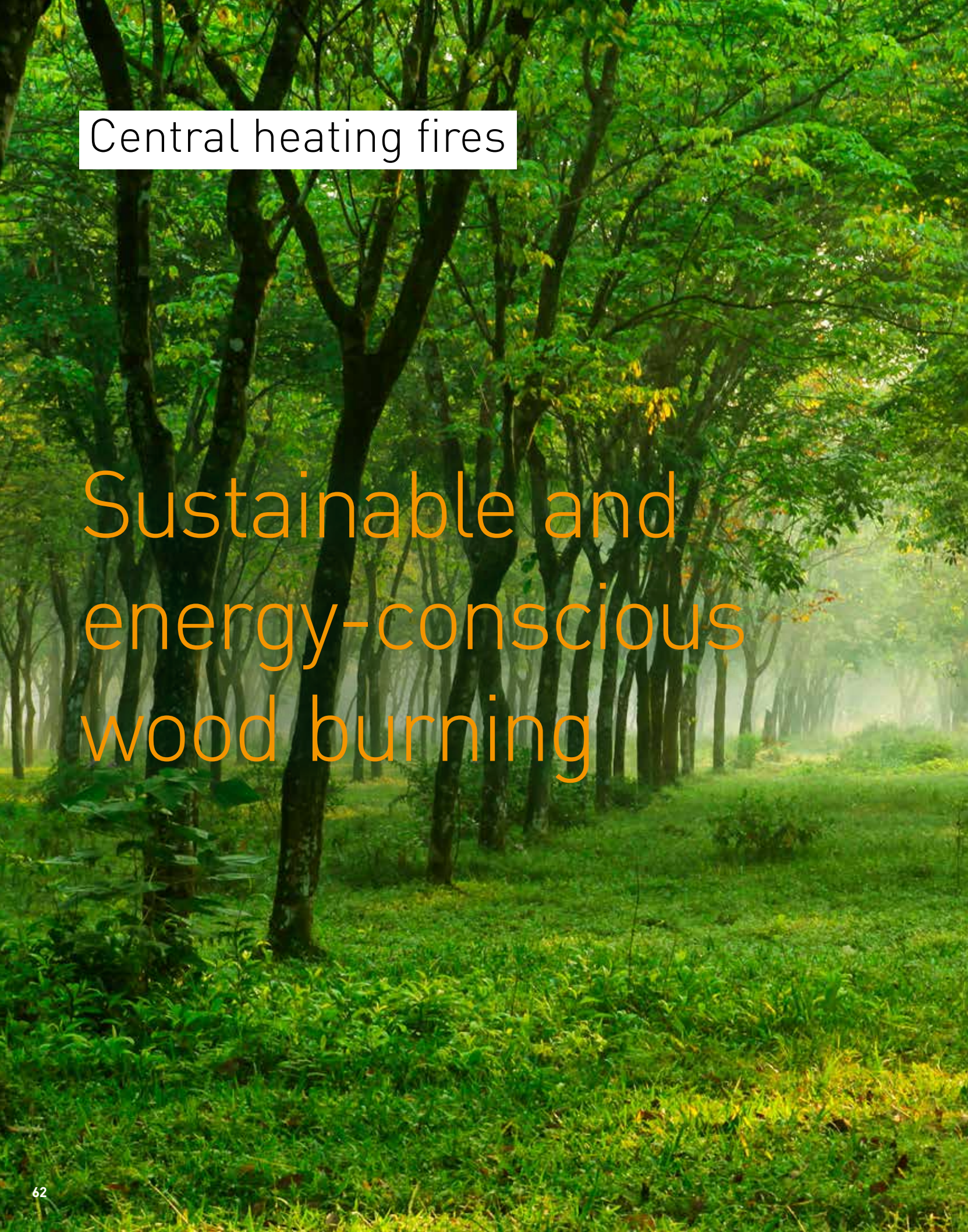
Easy air control

- At the front of the fire
- Both Instyle and Prostyle finishes

Door lock

- Stable and flexible door closure
- The cord ensures a good seal
- The door is adjustable and exchangeable
- Kit for self-closing door optional for Instyle 500-1000 series and Instyle Tunnel





Central heating fires

Sustainable and energy-conscious wood burning

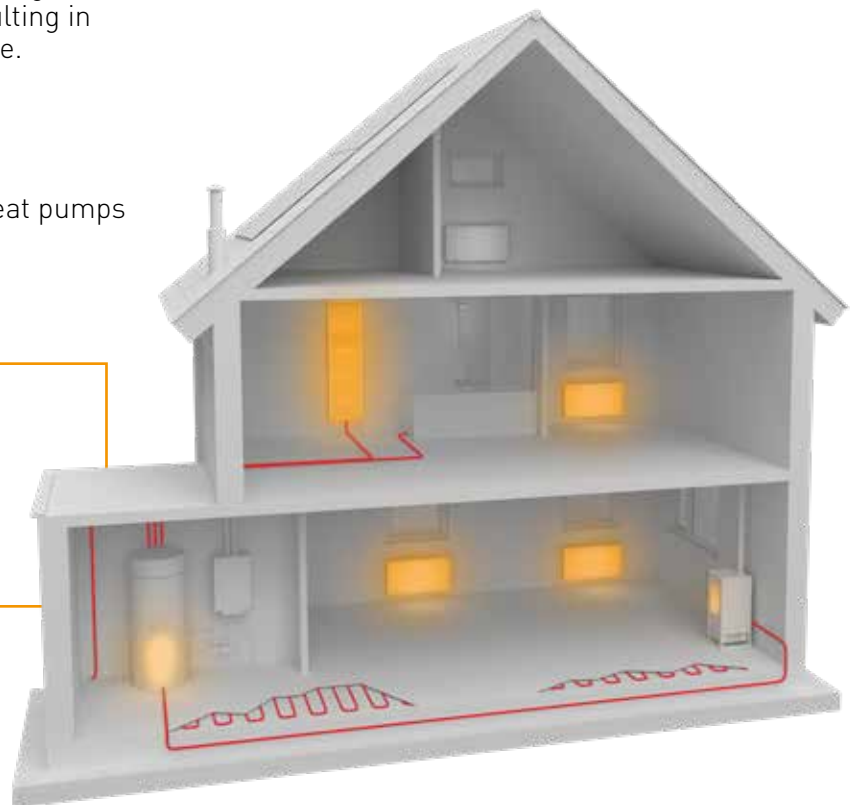
Green Design stands for sustainable, environmentally friendly and energy-conscious heating of fires and stoves connected to a central heating system.

Dik Geurts also supplies fires that you can connect to a central heating system, an environmentally friendly alternative way to heat your home. With these fires the hot flue gases are used to heat the water for your central heating system. Doing this means you get more efficiency from your fire or stove, resulting in a lower energy bill – and it's also sustainable.

- Environmentally friendly heating
- Durable/lower energy usage
- Suitable for any type of home
- Can be combined with solar panels and heat pumps
- Lower energy bill
- Maintenance friendly

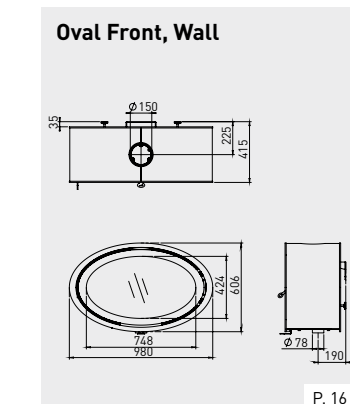
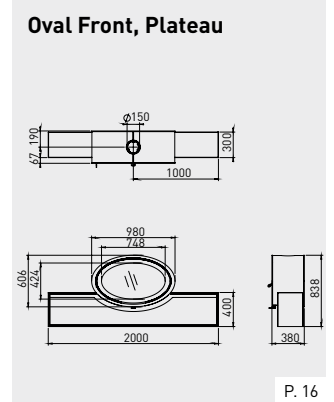
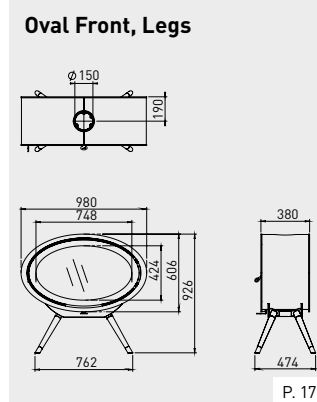
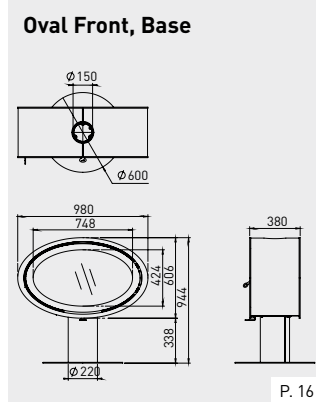
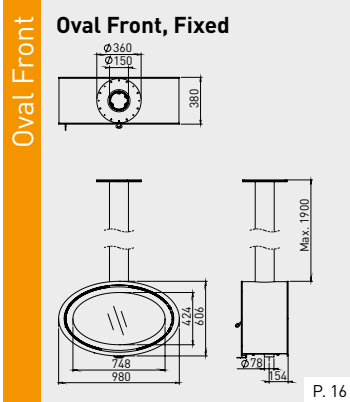
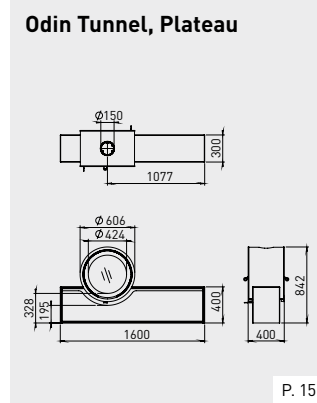
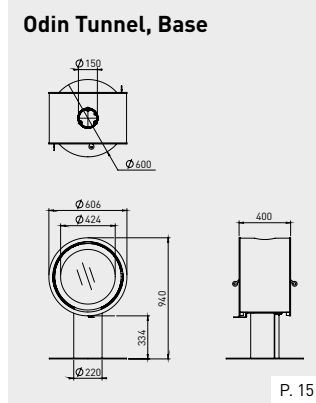
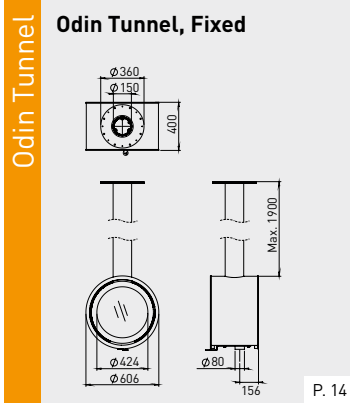
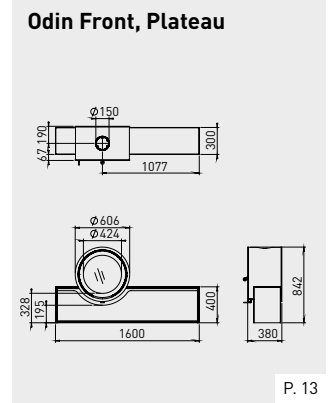
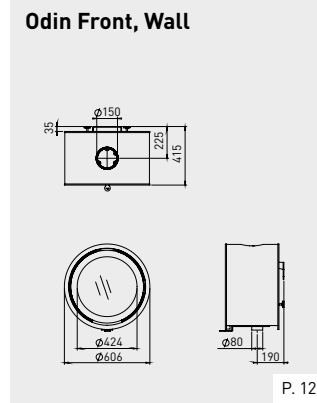
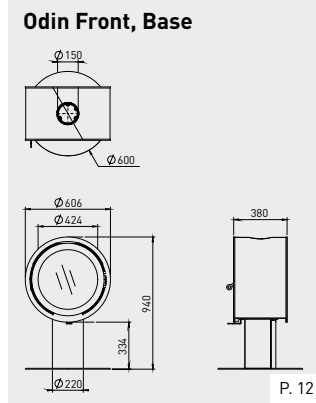
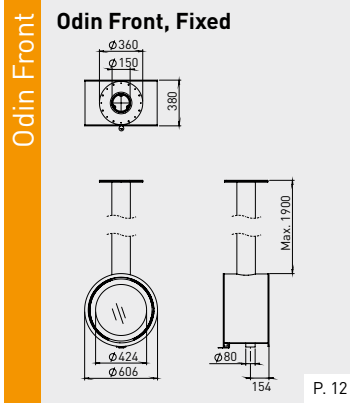
More info

If you want to know more about Green Design or the operation of central heating fireplaces, visit www.greendesign.eu.



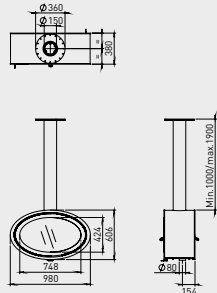
Technical drawings

DESIGN FIRES



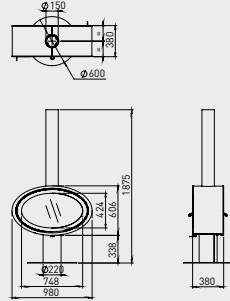
Oval Tunnel

Oval Tunnel, Fixed



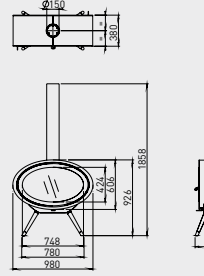
P. 18

Oval Tunnel, Base



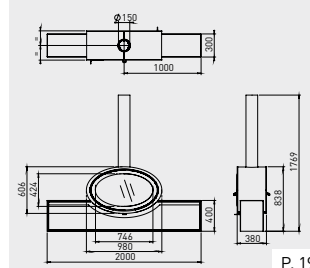
P. 19

Oval Tunnel, Legs



P. 19

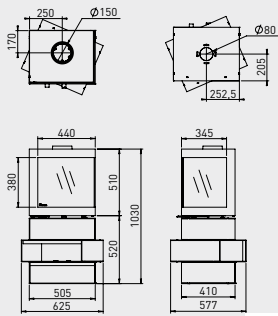
Oval Tunnel, Plateau



P. 19

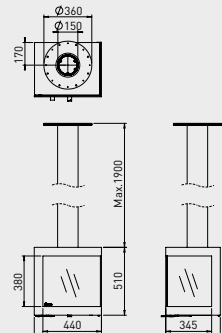
Bora Corner

Bora Corner, Cubes



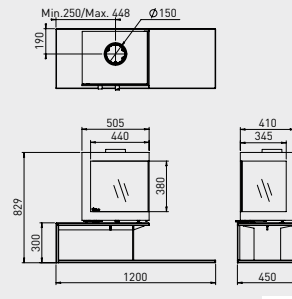
P. 20

Bora Corner, Fixed



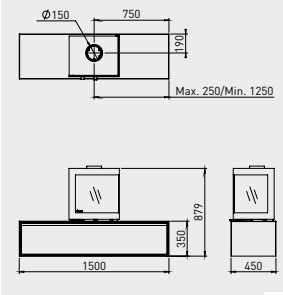
P. 21

Bora Corner, Floating Plateau



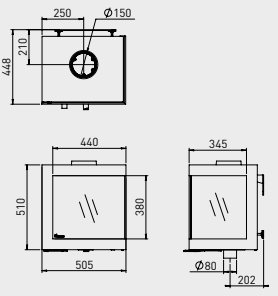
P. 22

Bora Corner, Straight Plateau



P. 23

Bora Corner, Wall

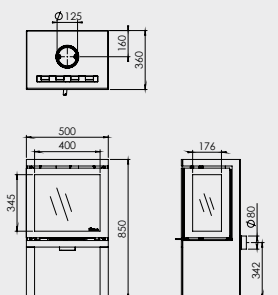


P. 23

WOOD AND MULTI-FUEL STOVES

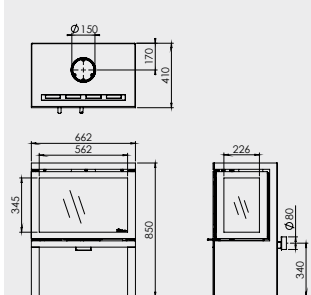
Vidar Triple

Vidar Triple Small, Store



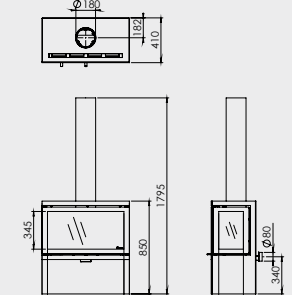
P. 26

Vidar Triple Medium, Store



P. 26

Vidar Triple Large, Store



P. 26

WOOD AND MULTI-FUEL STOVES

Vidar Triple Small, Wall

Technical drawings of the Vidar Triple Small, Wall stove. The top view shows a circular opening with a diameter of $\varnothing 125$ and a width of 380. The front view shows a width of 500 and a height of 535. The side view shows a depth of 176 and a base diameter of $\varnothing 80$.

P. 28

Vidar Triple Medium, Wall

Technical drawings of the Vidar Triple Medium, Wall stove. The top view shows a circular opening with a diameter of $\varnothing 150$ and a width of 430. The front view shows a width of 662 and a height of 535. The side view shows a depth of 226 and a base diameter of $\varnothing 80$.

P. 28

Vidar Triple Large, Wall

Technical drawings of the Vidar Triple Large, Wall stove. The top view shows a circular opening with a diameter of $\varnothing 180$ and a width of 430. The front view shows a width of 700 and a height of 535. The side view shows a depth of 226 and a base diameter of $\varnothing 80$.

P. 28

Kalle

Technical drawings of the Kalle stove. The top view shows a circular opening with a diameter of $\varnothing 150$ and a width of 415. The front view shows a width of 546 and a height of 1000. The side view shows a depth of 180 and a base diameter of $\varnothing 90$.

P. 30

Folke

Technical drawings of the Folke stove. The top view shows a circular opening with a diameter of $\varnothing 150$ and a width of 320. The front view shows a width of 320 and a height of 1000. The side view shows a depth of 170 and a base diameter of $\varnothing 80$.

P. 31

Modivar 5, Floating Plateau

Technical drawings of the Modivar 5, Floating Plateau stove. The top view shows a circular opening with a diameter of $\varnothing 125$ and a width of 1200. The front view shows a width of 450 and a height of 857. The side view shows a depth of 450 and a base diameter of $\varnothing 80$.

P. 32

Modivar 5, Straight Plateau

Technical drawings of the Modivar 5, Straight Plateau stove. The top view shows a circular opening with a diameter of $\varnothing 125$ and a width of 1500. The front view shows a width of 450 and a height of 907. The side view shows a depth of 450 and a base diameter of $\varnothing 80$.

P. 32

Modivar 5, Store Front

Technical drawings of the Modivar 5, Store Front stove. The top view shows a circular opening with a diameter of $\varnothing 125$ and a width of 450. The front view shows a width of 310 and a height of 1000. The side view shows a depth of 368 and a base diameter of $\varnothing 80$.

P. 32

Modivar 5, Store Corner

Technical drawings of the Modivar 5, Store Corner stove. The top view shows a circular opening with a diameter of $\varnothing 125$ and a width of 450. The front view shows a width of 310 and a height of 1000. The side view shows a depth of 368 and a base diameter of $\varnothing 80$.

P. 33

Soren 5

Technical drawings of the Soren 5 stove. The top view shows a circular opening with a diameter of $\varnothing 125$ and a width of 450. The front view shows a width of 319 and a height of 370. The side view shows a depth of 350 and a base diameter of $\varnothing 80$.

P. 34

Aste 5

Technical drawings of the Aste 5 stove. The top view shows a circular opening with a diameter of $\varnothing 125$ and a width of 486. The front view shows a width of 319 and a height of 555. The side view shows a depth of 350 and a base diameter of $\varnothing 80$.

P. 34

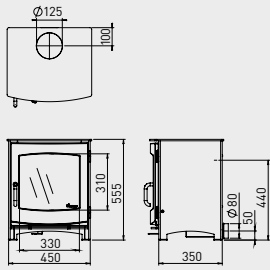
Lars 1000

Technical drawings of the Lars 1000 stove. The top view shows a circular opening with a diameter of $\varnothing 125$ and a width of 448. The front view shows a width of 298 and a height of 1000. The side view shows a depth of 348 and a base diameter of $\varnothing 80$.

P. 35

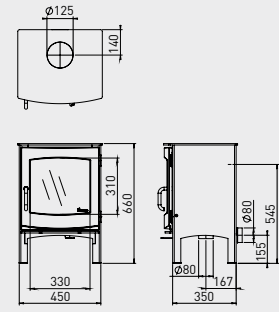
Ivar 5

Ivar 5, Low



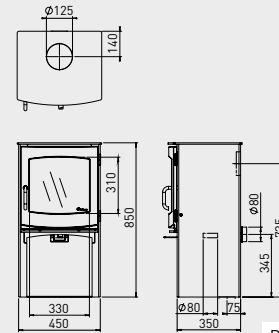
P. 37

Ivar 5, High



P. 38

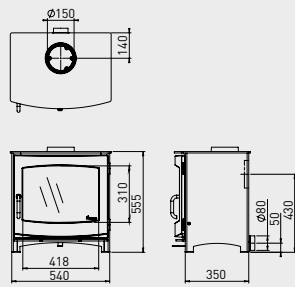
Ivar 5, Store



P. 39

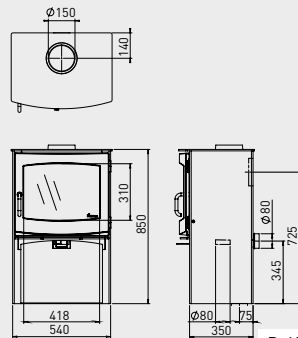
Ivar 8

Ivar 8, Low



P. 40

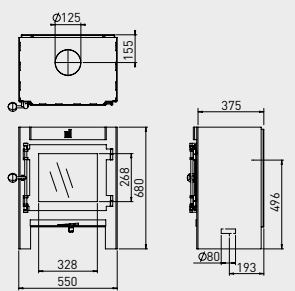
Ivar 8, Store



P. 41

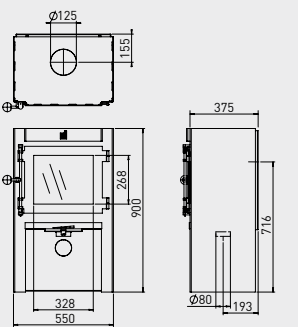
Jannik

Jannik Medium, Low



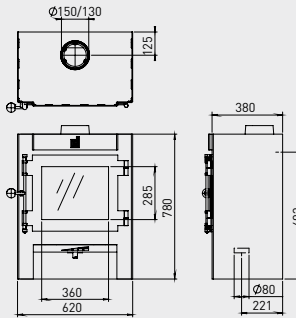
P. 42

Jannik Medium, High



P. 42

Jannik Large

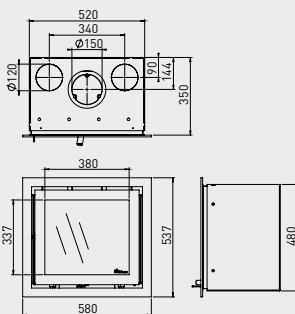


P. 43

INSERT-/BUILT-IN FIRES INSTYLE/PROSTYLE

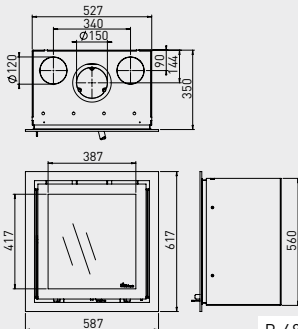
Instyle Front

Instyle 500
+ Classic Line frame 4S



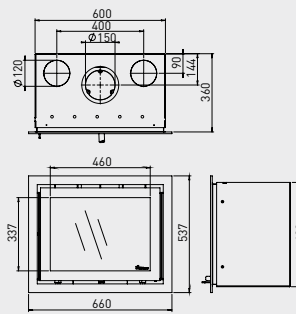
P. 48

Instyle 550
+ Classic Line frame 4S



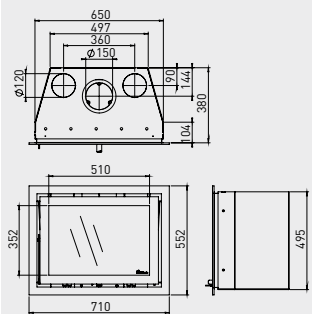
P. 48

Instyle 600
+ Classic Line frame 4S



P. 48

Instyle 650
+ Classic Line frame 4S

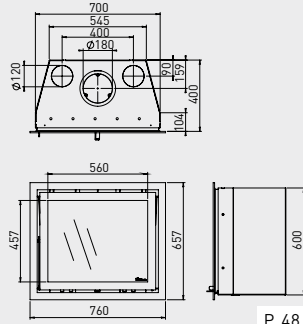


P. 48

INSERT-/BUILT-IN FIRES INSTYLE/PROSTYLE

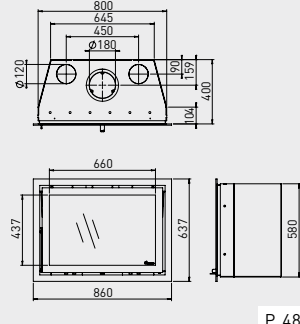
Instyle Front

Instyle 700
+ Classic Line frame 4S



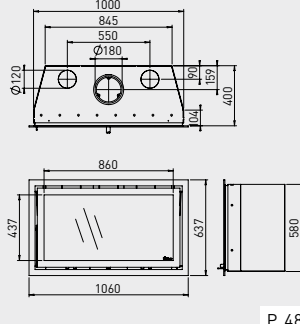
P. 48

Instyle 800
+ Classic Line frame 4S



P. 48

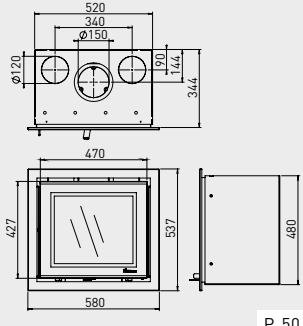
Instyle 1000
+ Classic Line frame 4S



P. 48

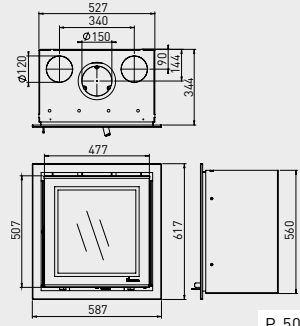
Prostyle Front

Prostyle 500
+ Modern Line frame



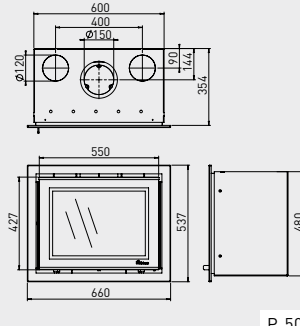
P. 50

Prostyle 550
+ Modern Line frame



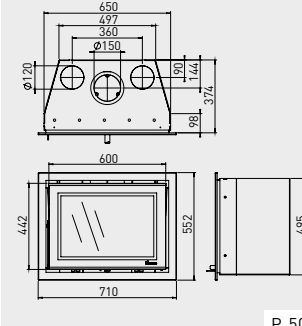
P. 50

Prostyle 600
+ Modern Line frame



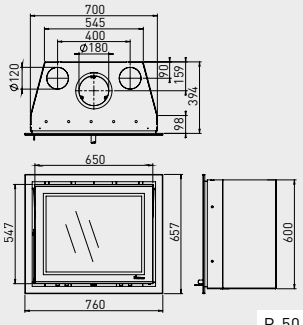
P. 50

Prostyle 650
+ Modern Line frame



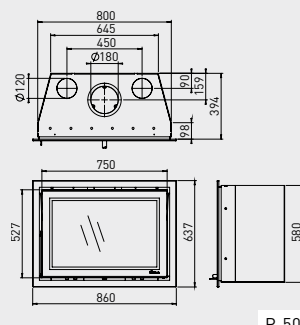
P. 50

Prostyle 700
+ Modern Line frame



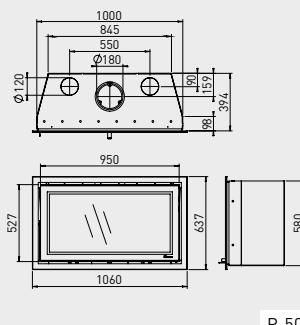
P. 50

Prostyle 800
+ Modern Line frame



P. 50

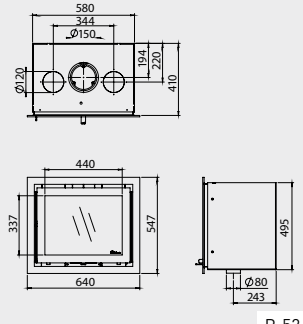
Prostyle 1000
+ Modern Line frame



P. 50

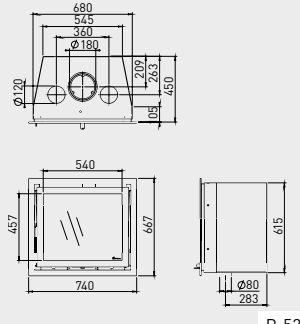
Instyle (ventilating fan)

Instyle 600V Next
+ Classic Line frame 4S



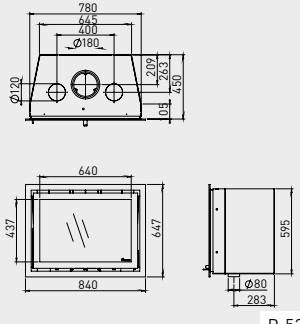
P. 52

Instyle 700V Next
+ Classic Line frame 4S



P. 52

Instyle 800V Next
+ Classic Line frame 4S



P. 52

Instyle Tunnel

Instyle Tunnel 700
+ Classic Line frame 4S

P. 54

Prostyle Tunnel

Prostyle Tunnel 700
+ Slim Line frame

P. 54

Instyle Corner Slim

Instyle Corner Slim 660/495

P. 56

Instyle Corner Slim 660/570

P. 56

Instyle Corner

Instyle Corner 660 Low

P. 58

Instyle Corner 660 High

P. 58

Instyle Triple

Instyle Triple 660 Low

P. 59

CENTRAL HEATING FIRES

Ivar 10 H20





Ivar 10 H20, Store





P. 62

Store H20

P. 62

Technical specifications

Page	Wood burning fireplaces and stoves																	
		Net output (kW)	Efficiency (%)	Energy efficiency class	Flue upper (ø, mm)	Flue rear (ø, mm)	External air connection (EA)	External air connection (RS)	Maximum log length (cm)	Weight (kg)	Interior vermiculite natural	Interior vermiculite dark anthracite	Infrared glass (IR)	Type: wall	Type: freestanding	Type: free hanging	Type: insert	Type: built-in
Design fires																		
Front fires																		
12	Odin Front, Fixed	4,0 - 8,0	75,2	A	150	-	optional	-	33	85	-	+	-	-	-	+	-	-
12	Odin Front, Base	4,0 - 8,0	75,2	A	150	-	optional	-	33	100	-	+	-	-	+	-	-	-
12	Odin Front, Wall	4,0 - 8,0	75,2	A	150	-	optional	-	33	85	-	+	-	+	-	-	-	-
13	Odin Front, Plateau	4,0 - 8,0	75,2	A	150	-	optional	-	33	125	-	+	-	-	+	-	-	-
16	Oval Front, Fixed	6,0 - 10,0	75,9	A	150	-	optional	including	50	120	-	+	-	-	-	+	-	-
16	Oval Front, Base	6,0 - 10,0	75,9	A	150	-	optional	including	50	135	-	+	-	-	+	-	-	-
16	Oval Front, Plateau	6,0 - 10,0	75,9	A	150	-	optional	including	50	160	-	+	-	-	+	-	-	-
16	Oval Front, Wall	6,0 - 10,0	75,9	A	150	-	optional	including	50	120	-	+	-	+	-	-	-	-
17	Oval Front, Legs	6,0 - 10,0	75,9	A	150	-	optional	including	50	130	-	+	-	-	+	-	-	-
Tunnel fires																		
14	Odin Tunnel, Fixed	6,0 - 10,0	75,0	A	150	-	optional	-	33	85	-	+	-	-	-	+	-	-
15	Odin Tunnel, Base	6,0 - 10,0	75,0	A	150	-	optional	-	33	130	-	+	-	-	+	-	-	-
15	Odin Tunnel, Plateau	6,0 - 10,0	75,0	A	150	-	optional	-	33	125	-	+	-	-	+	-	-	-
18	Oval Tunnel, Fixed	9,0 - 12,0	81,5	A+	150	-	optional	including	50	120	-	+	+	-	-	+	-	-
19	Oval Tunnel, Base	9,0 - 12,0	81,5	A+	150	-	optional	including	50	135	-	+	+	-	+	-	-	-
19	Oval Tunnel, Legs	9,0 - 12,0	81,5	A+	150	-	optional	including	50	130	-	+	+	-	+	-	-	-
19	Oval Tunnel, Plateau	9,0 - 12,0	81,5	A+	150	-	optional	including	50	160	-	+	+	-	+	-	-	-
2-sided fires																		
20	Bora Corner, Cubes	4,0 - 9,0	78,1	A	150	-	optional	including	36	145	-	+	+	-	+	-	-	-
21	Bora Corner, Fixed	4,0 - 9,0	78,1	A	150	-	optional	including	36	95	-	+	+	-	-	+	-	-
21	Bora Corner, Floating Plateau	4,0 - 9,0	78,1	A	150	-	optional	including	36	145	-	+	+	-	+	-	-	-
22	Bora Corner, Straight Plateau	4,0 - 9,0	78,1	A	150	-	optional	including	36	140	-	+	+	-	+	-	-	-
23	Bora Corner, Wall	4,0 - 9,0	78,1	A	150	-	optional	including	36	95	-	+	+	+	-	-	-	-
Wood and multi-fuel stoves																		
3-sided fires																		
26	Vidar Triple Small, Store	4,9 - 7,0	79,0	A	125/130	-	optional	including	35	102	+	-	+	-	+	-	-	-
26	Vidar Triple Medium, Store	4,0 - 9,0	76,3	A	150	-	optional	including	50	130	+	-	+	-	+	-	-	-
26	Vidar Triple Large, Store	6,0 - 10,0	79,0	A	180	-	optional	including	50	102	+	-	+	-	+	-	-	-
28	Vidar Triple Small, Wall	4,9 - 7,0	79,0	A	125/130	-	optional	including	35	97	+	-	+	+	-	-	-	-
28	Vidar Triple Medium, Wall	4,0 - 9,0	76,3	A	150	-	optional	including	50	120	+	-	+	+	-	-	-	-
28	Vidar Triple Large, Wall	6,0 - 10,0	79,0	A	180	-	optional	including	50	102	+	-	+	+	-	-	-	-
30	Kalle	4,0 - 8,0	85,0	A+	150	150	including	-	40	130	+	-	-	-	+	-	-	-
31	Folke	4,0 - 8,0	77,3	A	150	150	optional	including	33	120	+	-	+	-	+	-	-	-
Front fires																		
32	Modivar 5, Floating Plateau	4,9 - 7,0	82,0	A+	125/130	125/130	optional	including	35	140	+	-	-	-	+	-	-	-
32	Modivar 5, Straight Plateau	4,9 - 7,0	82,0	A+	125/130	125/130	optional	including	35	135	+	-	-	-	+	-	-	-
32	Modivar 5, Store Front	4,9 - 7,0	82,0	A+	125/130	125/130	optional	including	35	120	+	-	-	-	+	-	-	-
33	Modivar 5, Store Corner	4,9 - 7,0	82,0	A+	125/130	125/130	optional	including	35	120	+	-	-	-	+	-	-	-
34	Soren 5	4,9 - 7,0	82,0	A+	125/130	125/130	optional	including	35	85	+	-	-	-	+	-	-	-
34	Aste 5	4,9 - 7,0	82,0	A+	125/130	125/130	optional	including	35	85	+	-	-	-	+	-	-	-
35	Lars 1000	4,9 - 7,0	82,0	A+	125/130	125/130	optional	including	35	100	+	-	-	-	+	-	-	-

Page	Wood burning fireplaces and stoves	 Net output (kW)	Efficiency (%)	Energy efficiency class	Flue upper (ø, mm)	Flue rear (ø, mm)	 External air connection (EA)	 External air connection (RS)	Maximum log length (cm)	Weight (kg)	Interior vermiculite natural	Interior vermiculite dark anthracite	 Infrared glass (IR)	Type: wall	Type: freestanding	Type: free hanging	Type: insert	Type: built-in
Wood and multi-fuel stoves																		
Front fires																		
37	Ivar 5, Low	4,9 - 7,0	82,0	A+	125/130	125/130	optional	including	35	85	+	-	-	-	+	-	-	-
38	Ivar 5, High	4,9 - 7,0	82,0	A+	125/130	125/130	optional	including	35	90	+	-	-	-	+	-	-	-
39	Ivar 5, Store	4,9 - 7,0	82,0	A+	125/130	125/130	optional	including	35	105	+	-	-	-	+	-	-	-
40	Ivar 8, Low	5,0 - 10,0	76,6	A	150	150	optional	including	46	100	+	-	-	-	+	-	-	-
41	Ivar 8, Store	5,0 - 10,0	76,6	A	150	150	optional	including	46	120	+	-	-	-	+	-	-	-
42	Jannik Medium, Low	4,9 - 7,0	82,0	A+	125/130	125/130	optional	-	35	90	+	-	-	-	+	-	-	-
42	Jannik Medium, High	4,9 - 7,0	82,0	A+	125/130	125/130	optional	-	35	90	+	-	-	-	+	-	-	-
43	Jannik Large	4,0 - 8,0	87,0	A+	130&150	130&150	optional	-	40	128	+	-	-	-	+	-	-	-
Inserts and built-in wood fires																		
Front fires																		
48	Instyle 500	3,0 - 7,0	82,0	A+	150	-	optional	-	35	80	+	-	-	-	-	-	+	+
48	Instyle 550	3,0 - 7,0	81,0	A+	150	-	optional	-	36	94	+	-	-	-	-	-	+	+
48	Instyle 600	3,0 - 7,0	79,6	A	150	-	optional	-	42	120	+	-	-	-	-	-	+	+
48	Instyle 650	3,0 - 9,0	80,5	A	150	-	optional	-	40	108	+	-	-	-	-	-	+	+
48	Instyle 700	6,0 - 12,0	81,6	A+	180	-	optional	-	45	116	+	-	-	-	-	-	+	+
48	Instyle 800	8,0 - 12,0	76,6	A	180	-	optional	-	55	130	+	-	-	-	-	-	+	+
48	Instyle 1000	9,0 - 13,0	77,7	A	180	-	optional	-	75	145	+	-	-	-	-	-	+	+
50	Prostyle 500	3,0 - 7,0	82,0	A+	150	-	optional	-	35	80	+	-	-	-	-	-	+	+
50	Prostyle 550	3,0 - 7,0	81,0	A+	150	-	optional	-	36	94	+	-	-	-	-	-	+	+
50	Prostyle 600	3,0 - 7,0	79,6	A	150	-	optional	-	42	120	+	-	-	-	-	-	+	+
50	Prostyle 650	3,0 - 9,0	80,5	A	150	-	optional	-	40	108	+	-	-	-	-	-	+	+
50	Prostyle 700	6,0 - 12,0	81,6	A+	180	-	optional	-	45	116	+	-	-	-	-	-	+	+
50	Prostyle 800	8,0 - 12,0	76,6	A	180	-	optional	-	55	130	+	-	-	-	-	-	+	+
50	Prostyle 1000	9,0 - 13,0	77,7	A	180	-	optional	-	75	145	+	-	-	-	-	-	+	+
Front fires, with ventilating fan																		
52	Instyle 600V Next	3,0 - 7,0	79,6	A	150	-	optional	-	42	98	+	-	-	-	-	-	+	-
52	Instyle 700V Next	6,0 - 12,0	81,6	A+	180	-	optional	-	45	120	+	-	-	-	-	-	+	-
52	Instyle 800V Next	8,0 - 12,0	76,6	A	180	-	optional	-	55	130	+	-	-	-	-	-	+	-
Tunnel fires																		
54	Instyle Tunnel 700	9,0 - 12,0	83,0	A+	180	-	optional	including	52	140	+	-	-	-	-	-	+	+
54	Prostyle Tunnel 700	9,0 - 12,0	83,0	A+	180	-	optional	-	52	140	+	-	-	-	-	-	+	+
2-Sided fires																		
56	Instyle Corner Slim 660/495	4,0 - 10,0	75,2	A	150 ¹⁾	-	optional	including	50	110	+	-	-	-	-	-	+	+
56	Instyle Corner Slim 660/570	5,0 - 10,0	80,0	A	180	-	optional	including	50	120	+	-	+	-	-	-	+	+
58	Instyle Corner 660 Low	4,0 - 9,0	76,3	A	150	-	including	-	50	105	+	-	-	-	-	-	+	+
58	Instyle Corner 660 High	4,0 - 9,0	76,3	A	150	-	including	-	50	105	+	-	-	-	-	-	+	+
3-Sided fires																		
59	Instyle Triple 660 Low	4,0 - 9,0	88,0	A+	150	-	including	-	55	102	+	-	+	-	-	-	+	-

¹⁾ Multi-fuel kit available for burning multi-fuel/coal.

²⁾ SlideConnect® = variable connection to the flue (can be shifted to 4 cm).

³⁾ Defra approved = approved to use in smoke controlled areas.



Dealer

 **Dik Geurts**
Creation of flames

DRU Verwarming B.V.
P.O. Box 1021, 6920 BA Duiven
Ratio 8, 6921 RW Duiven
The Netherlands

T. +31 (0)26 - 319 5 319
www.geurts.nl

Drugasar Ltd.
Deans Road, Swinton
Manchester, M27 0JH
United Kingdom

T. +44 (0)161 - 793 8700
www.dikgeurts.co.uk

DRU Belgium
Kontichsesteenweg 69/1
2630 Aartselaar
Belgium

T. +32 (0)3 - 450 7000
www.dikgeurts.be



Dik Geurts is a trademark of DRU Verwarming B.V. Subject to changes. The colours in this brochure may vary from the actual products. Nothing in this publication may be used without prior written consent from DRU Verwarming B.V.

since
1754



BY APPOINTMENT OF
THE COURT OF THE NETHERLANDS

Art.9934/76 | 2023-10

SOCIAL MEDIA: For more inspiration and information, visit one of our social media channels or scan the QR code:

